

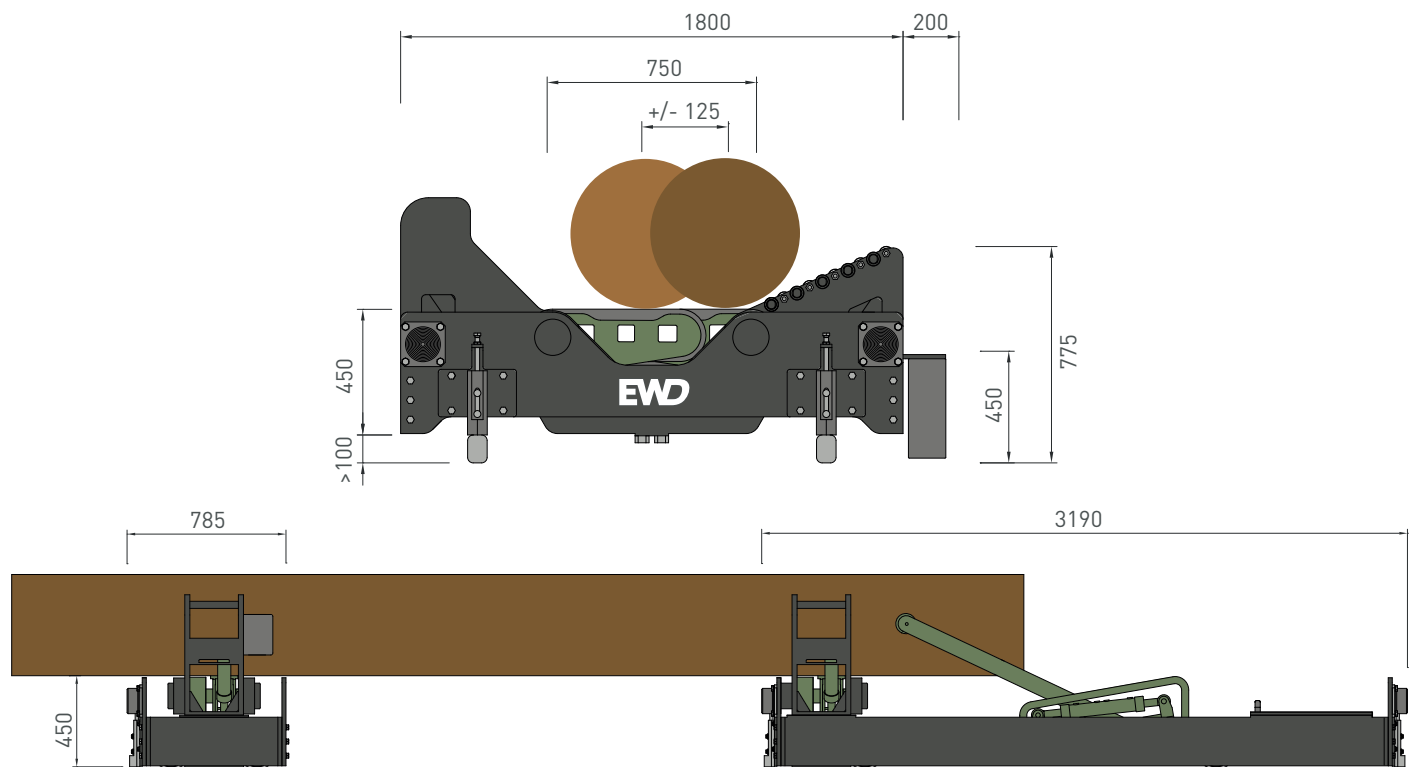


## Technical data

### USF SASH GANG FEED SYSTEM

#### TECHNICAL DATA

Carriage width	mm	1800 + energy supply chain
Carriage width with option shifting V-log turner	mm	1900 + energy supply chain
Length main carriage	mm	3190
Length auxiliary carriage	mm	785
Track width	mm	980 - 1310 continuously adjustable
Height log infeed to top of carriage rails	mm	410 - 470 continuously adjustable
Rail height min.	mm	100
Log length LSH	m	from 2,3
Log length HDE	m	from 2,4
Log length HDN, HDSN, GDZ	m	from 2,5
Log length DWK SG	m	from 3,0
Log support width with V-log turner in horizontal position	mm	750
Side shifting distance with arms and turning chains	mm	+/- 125
Side shifting distance with option side shifting V-log turner	mm	+/- 80
Feed speed forward max.	m/min.	60
Feed speed reverse max.	m/min.	120
Drive motor main carriage   Drive motor auxiliary carriage	kW	5,5   2,2
Weight main carriage basic configuration approx.	t	2,2
Weight auxiliary carriage basic configuration approx.	t	1,1
Memory function for height of clamping arms		The height positioning of the clamping arms is continuously selectable and is always the height of the previous log.



Dimensions (in mm)

Due to constant product improvements or developments the illustrations and specifications contained in this brochure are subject to change without notice.